

VHF S65-8262-12



Description

S65-8262-12: All-metal communications antenna. Light weight, low drag in a rugged design package. The antenna is DC grounded to provide lightning protection and to eliminate "P" static. It has a ten-hole base with a type C connector. The antenna is resistant to erosion and impact.

This antenna is 25% shorter and 30% lighter than the S65-8262-2 but keeps the identical mounting footprint.

Federal & Military Certifications: FAA TSO C37b and C38b, MIL-A-6271A, MIL-7772B(ASG), MIL-A-9094C, MIL-E-5272C and MIL-E-5400H.

Specifications

Electrical

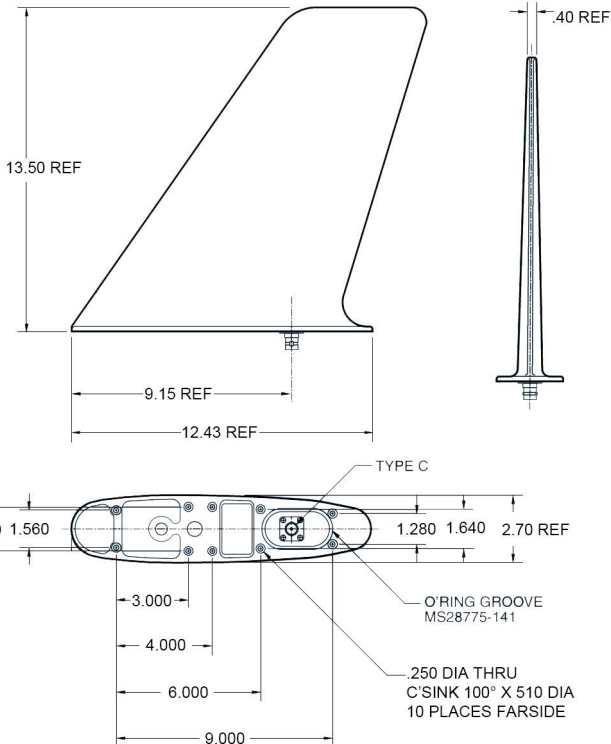
Frequency	118-137 MHz
VSWR	≤2.5:1
Polarization	Vertical
Pattern	Omnidirectional in Azimuth Cosinusoidal in Elevation
Impedance	50 Ω
Power	100 Watts Continuous

Mechanical

Weight	3.4 lbs.
Height	13.50 in.
Length	12.43 in.
Width	2.70 in.
Material	A-356-T6 Aluminum Alloy
Finish	Skydrol Resistant Enamel
Connector	C Female

Environmental

Temperature	-54°C (-65°F) to +85°C (+185°F)
Altitude	60,000 ft.



Please Note: For REFERENCE ONLY
Contact Sensor Systems for latest drawing



A HEICO COMPANY

Website: www.sensorantennas.com

Phone: 818-341-5366