



### Description

**S65-5366-727:** Blade antenna designed for MIMO (Multiple Input, Multiple Output) communications in a single antenna installation. The antenna operates from 2.2 to 2.5 GHz, supporting IEEE 802.11b/g/n and 802.16 WiMAX standards. Allows higher data rates, range and reliability when used with MIMO radios.

Utilizing polarization diversity techniques (vertical and horizontal) the antenna has high gain and 12dB minimum isolation between the elements.

The vertical plane performance is similar to that of a quarter-wave monopole; horizontal performance is similar to that of a half-wave dipole.

Dual TNC connectors with standard L-band 4-hole bolt pattern. A conductive neoprene and woven aluminum gasket is included.

**FEDERAL & MILITARY SPECS:** DO-160G, MIL-HDBK-5400, MIL-STD-8100, MIL-E-5272C, MIL-A-7772B.

### Specifications

#### Electrical

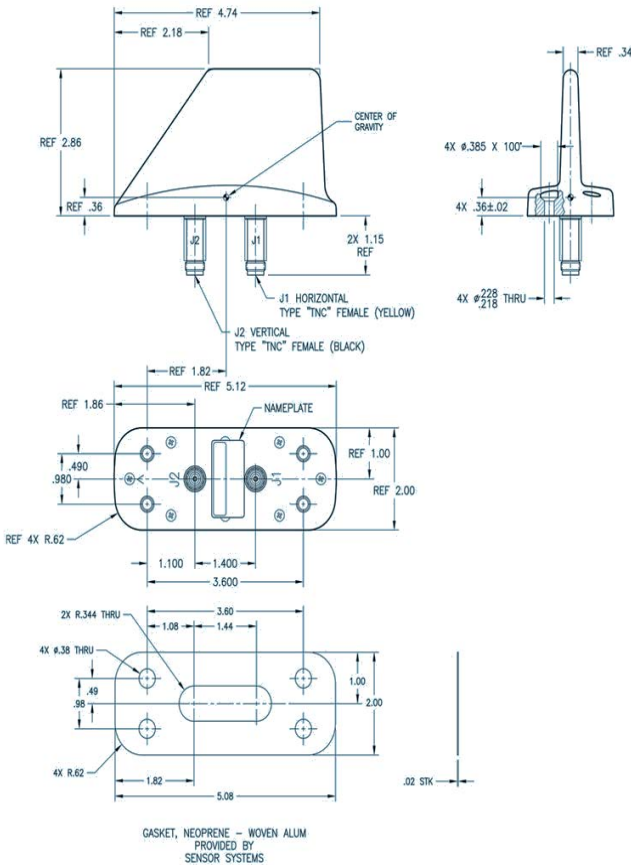
Frequency	2.2 - 2.5 GHz
VSWR	S2.0:1 (J1 & J2)
Polarization	J1: Horizontal, J2: Vertical
Pattern (Omnidirectional)	J1: Hemispherical J2: Co-sinusoidal
Impedance	500 Ω
Isolation	12 dB Min (J1 & J2)
Power	5 Watts

#### Mechanical

Weight	6.0 oz.
Height	2.86 in.
Length	5.12 in.
Material	6061-T6 Aluminum / Thermoset Plastic
Finish	Skydrol Resistant Polyurethane Enamel
Connector	TNC Female (2)

#### Environmental

Temperature	-55°C (-67°F) to +85°C (+185°F)
Altitude	50,000 ft.



Please Note: For REFERENCE ONLY  
Contact Sensor Systems for latest drawing



A HEICO COMPANY

Website: [www.sensorantennas.com](http://www.sensorantennas.com)

Phone: 818-341-5366