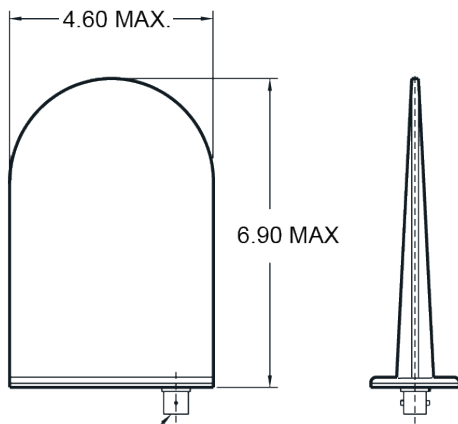
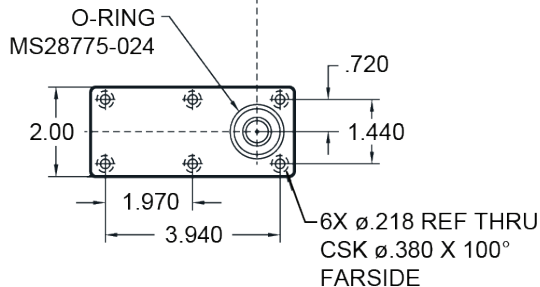


Glide Path S41422-5



TYPE C



Please Note: For REFERENCE ONLY
Contact Sensor Systems for latest drawing

Description

This high-gain, single port Glide Slope antenna has a built-in fault isolation network. The fiberglass radome is bonded over an alloy casting to provide high structural strength.

The antenna is certified for Category III aircraft.

Federal & Military Certifications:

TSO-34b, ARINC Characteristic 519, MIL-E-5272C, and MIL-E-5400H.

Specifications

Electrical

Frequency	329.0-335.0 MHz
VSWR	≤2.0:1
Polarization	Linear (Horizontal)
Pattern	Cosinusoidal in Both E & H Planes
Impedance	50 Ω Nominal

Mechanical

Weight	0.60 lb. (Max.)
Height	6.90 in.
Length	4.60 in.
Width	2.00 in.
Material	A356-T51 Casting / Epoxy Fiberglass Cover
Finish	Skydrol Resistant Epoxy Enamel
Connector	C

Environmental

Temperature (Operating)	-73°C (-100°F) to +121°C (+250°F)
Altitude	80,000 ft.



A HEICO COMPANY

Website: www.sensorantennas.com

Phone: 818-341-5366