

ORION SEARCHLIGHT

HIGH POWERED SEARCHLIGHTS



OPTIONS

- **HAND CONTROL UNITS:** WHITE PANEL BACK-LIGHTING, GREEN PANEL BACK-LIGHTING OR ANALOG JOYSTICK WITH NVIS GREEN PANEL BACK-LIGHTING (MIL-STD-3009)
- **LASER DESIGNATOR:** WAVELENGTH 850 NM, OPTICAL POWER < 5 MW, LASER CLASS 3B ACC. TO EN60825-1:2008-05
- **INTEGRATED FILTER MODULE:** IR OR COLORED GLASS
- **SLAVING MODE:** L-3 WESCAM: MX-SERIES, FSI: STAR SAFIRE III / STAR SAFIRE HD / ULTRA FORCE 350 / ULTRA FORCE II EP, ZEISS: LEO-III-HD / FLIR 8000/8500 / ELOP EOP COMPASS-III
- **LUMINATOR MAINTENANCE SYSTEM TERMINAL:** FOR MAINTENANCE PARAMETER READOUT AND CONFIGURATION

QUALIFICATIONS

- RTCA/DO-178B COMPLIANT
- RTCA/DO-160F TESTED

MAINTENANCE & RELIABILITY

- TESTED ON CONDITION AND SCHEDULED MAINTENANCE
- 24 MONTH WARRANTY

DOCUMENTATION

- SYSTEM INSTALLATION MANUAL
- MAINTENANCE & GROUND HANDLING MANUAL
- DDP
- CERTIFICATION OF CONFORMITY (COC)

ORION SEARCHLIGHT

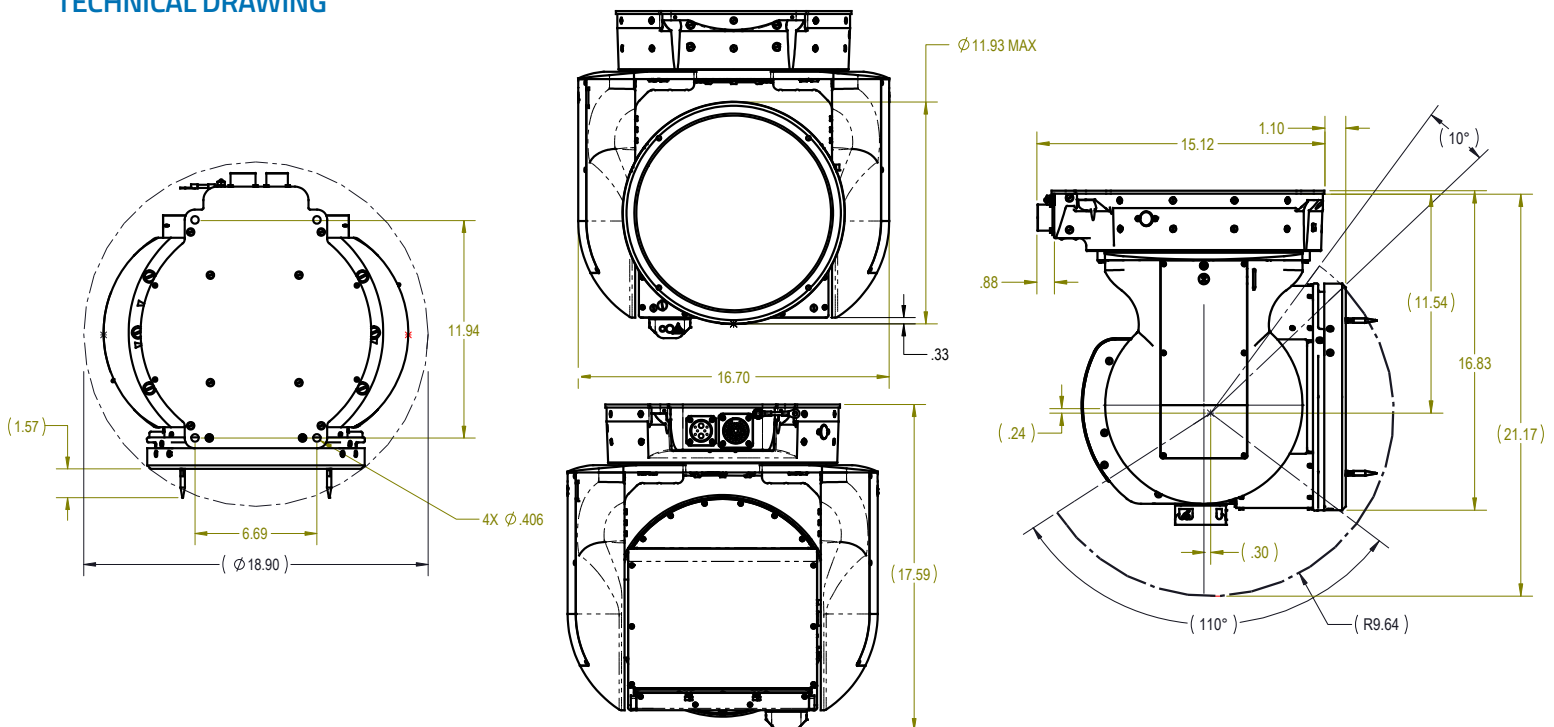
HIGH POWERED SEARCHLIGHTS

TECHNICAL DATA

PRODUCT ORDERING INFORMATION	
HSL.1600.AA.1	WITHOUT IR, BLACK
HSL.1600.AA.2	WITHOUT IR, WHITE
HSL.1600.BA.1	WITH IR, BLACK
HSL.1600.BA.2	WITH IR, WHITE
MECHANICAL	
WEIGHT	65.0 LB/ 29.5 KG (TOTAL SYSTEM)
DIMENSIONS/DIAMETER	15.1" X 16.7" X 17.6" 384 MM X 424 MM X 447 MM
MATERIAL	ALUMINUM ALLOY
HOUSING COLOR	BLACK, WHITE, OR CUSTOM
LENS COLOR	CLEAR
MOUNTING	STANDARD PAYLOAD (I.E., MEEKER QDD-1, DT-1, DT-1A) OR CUSTOM
GIMBAL CONTROL	TWO-AXIS REMOTE CONTROL
FOCUS CONTROL	STEP-LESS REMOTE CONTROL
SLAVING	INTEGRATED, NO INTERFACE BOX REQUIRED
POWER MANAGEMENT	INTEGRATED, NO JUNCTION BOX REQUIRED
COOLING	REDUNDANT DUAL-FAN
AZIMUTH ROTATION	+/- 175° (350°) AT 60°/SEC MAX
ELEVATION (TILT) RANGE	+10°/-110° AT 60°/SEC MAX
KEEP OUT AREA	HARD STOPS & PROGRAMMED STOPS CAN BE INSTALLED

ELECTRICAL	
VOLTAGE - OPERATING RANGE	26-29 V DC
VOLTAGE - NOMINAL	28 V DC
CURRENT - NOMINAL	65 A (RATED), 75 A (MAX)
CURRENT - STARTUP	110 A (SPIKE)
STARTING TIME	1 SECOND
RECYCLE TIME	NOT REQUIRED
INTERFACES	1 X HCU RS422, 1 X SLAVING RS422 OR RS232, 1 X MAINTENANCE RS232
DISCRETE INPUTS	24
DISCRETE OUTPUTS	10
ENVIRONMENTAL	
TEMPERATURE - OPERATING	-45 TO +70 °C (-49 TO +158 °F)
TEMPERATURE - STORAGE	-55 TO +85 °C (-67 TO +185 °F)
HUMIDITY	<80 % RH AT +5 ... 50 °C
ILLUMINATION	
LAMP TYPE - VISIBLE & IR	1600 WATT XENON SHORT ARC
NVG COMPATIBILITY	NVG GEN II/III
LUMEN OUTPUT	60,000 LUMEN AT 4° BEAM SPREAD
PEAK BEAM INTENSITY	40-50 MILLION CANDLEPOWER
PEAK LUMINANCE	32 LUX @ 1,000 M (3,281 FEET)
BEAM SPREAD/DIAMETER	4° TO 20° ADJUSTABLE
BEAM DIAMETER AT 1,000 M (3,281 FEET)	4° BEAM SPREAD = 68 M (23 FT) 13° BEAM SPREAD = 214 M (702 FT)
TARGET ID RANGE - VISIBLE	1,600 M (5,250 FT)
TARGET ID RANGE - IR	1,000 M (3,281 FT)

TECHNICAL DRAWING



Disclaimer
Features and specifications are subject to change without notice
January 2021